



Electrolux
PROFESSIONAL

Floor Drains and Collecting Tanks
Floor Drain with Stainless Steel Grate
and Side Drain - Vertical outlet 400x950
mm

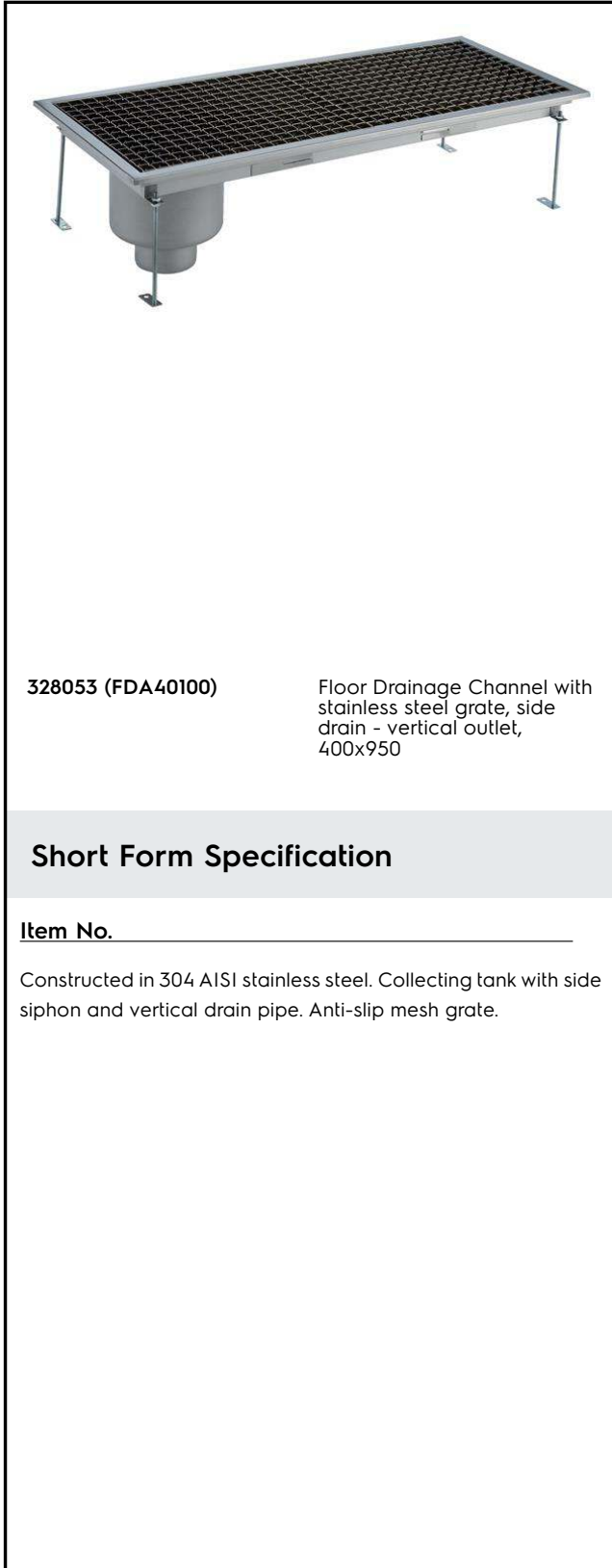
ITEM # _____

MODEL # _____

NAME # _____

SIS # _____

AIA # _____



328053 (FDA40100)

Floor Drainage Channel with stainless steel grate, side drain - vertical outlet, 400x950

Short Form Specification

Item No. _____

Constructed in 304 AISI stainless steel. Collecting tank with side siphon and vertical drain pipe. Anti-slip mesh grate.

Main Features

- Easy to install.
- Anti-odour syphon.
- Removable waste blocking filter.
- Rag bolt for floor fixing.
- Easy to inspect for any possible waste removal action.
- Electrochemical finishing gives grids a bright appearance.
- Ideal for any drain solution, particularly suggested for great amounts of water drained during cleaning operations.
- Collecting tanks with side siphon.

Construction

- Adjustable leveling feet.
- Anti-slip mesh 25x25 mm grating, h=25 mm, 1.5 mm in thickness.
- Collecting tanks available with vertical drain pipe.
- Constructed entirely in 304 AISI stainless steel.

APPROVAL: _____



Experience the Excellence
www.electroluxprofessional.com

Key Information:

External dimensions, Width:	950 mm
328053 (FDA40100)	
External dimensions, Depth:	400 mm
External dimensions, Height:	265 mm
Net weight:	20 kg

